

SMD POWER INDUCTOR CATALOG 2.
(Size Over 5mm)

INDUCTORS

FOR POWER LINE SMD

YP-6030 SERIES

FEATURES

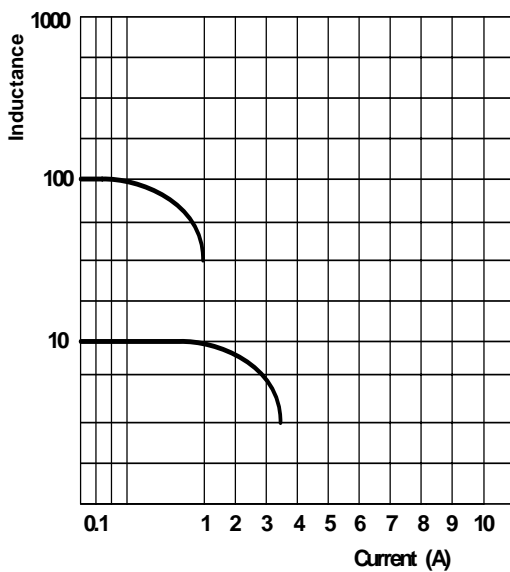
- .Magnetically Shielded
- .High Efficiency and cost-effective
- .10% to 60% lower DCR
- .Flat top for reliable surface mounting
- .Custom version available



APPLICATIONS

- .Backlighting devices / DC-DC converter / Power applications

INDUCTANCE vs CURRENT

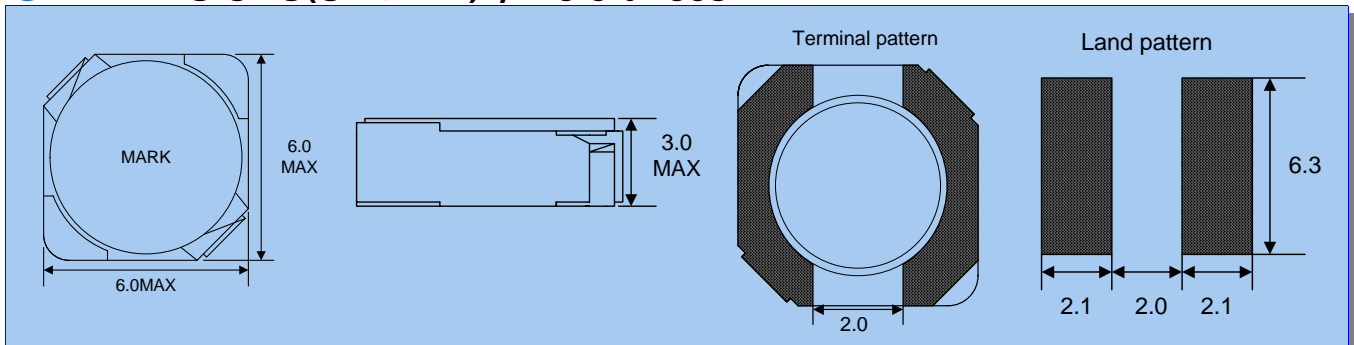


ELECTRICAL CHARACTERISTICS

Part Number	L ± 20% (uH)	DCR (Ω) MAX	CURRENT (A) MAX
YP-6030R-100M	10	0.070	1.30
120M	12	0.080	1.20
150M	15	0.110	1.10
220M	22	0.130	0.90
270M	27	0.175	0.85
330M	33	0.190	0.75
470M	47	0.250	0.62
560M	56	0.305	0.58
680M	68	0.355	0.52
101M	100	0.520	0.42

1. Inductance tested at 100KHz 0.1v
2. Operating temperature range -40°C to +85°C
3. Electrical specifications at 25°C
4. DC current at which the inductance drops 35%

DIMENSIONS(Unit:mm) / Tolerances ± 0.2



<http://www.yewon-elec.co.kr>



Yewon Power Inductor
The Leader of Electronic Component

INDUCTORS

FOR POWER LINE SMD

YP-6730 SERIES

FEATURES

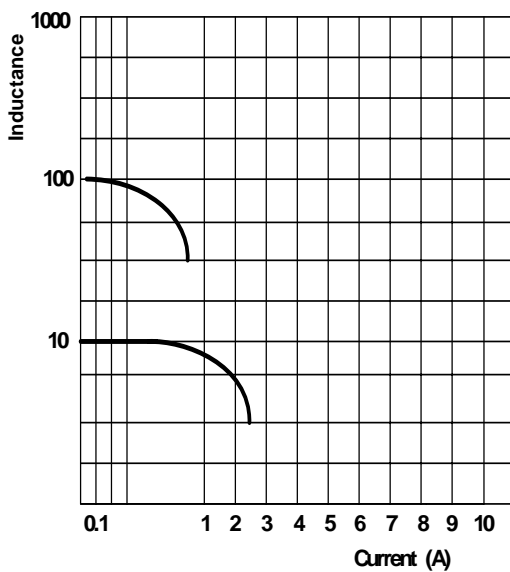
- .Magnetically Shielded
- .High Efficiency and cost-effective
- .10% to 60% lower DCR
- .Flat top for reliable surface mounting
- .Custom version available



APPLICATIONS

- .Backlighting devices / DC-DC converter / Power applications

INDUCTANCE vs CURRENT

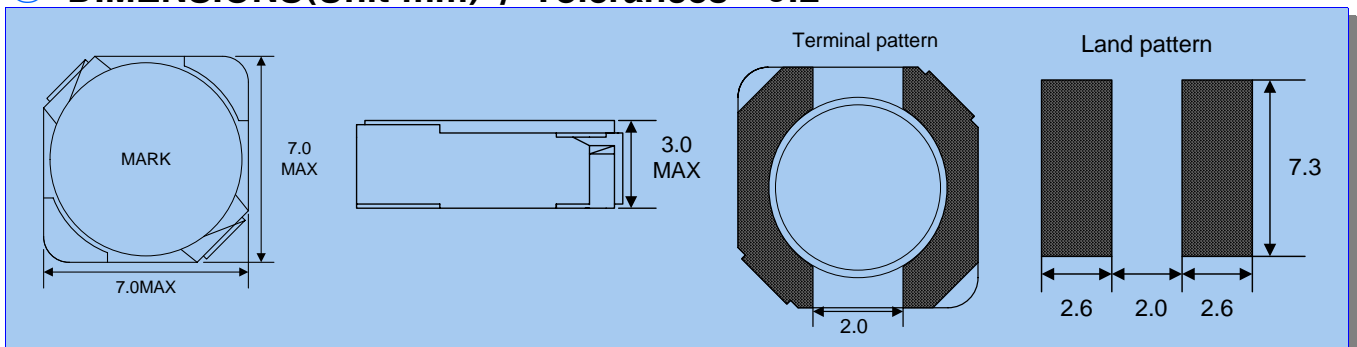


ELECTRICAL CHARACTERISTICS

Part Number	L ± 30% (uH)	DCR (Ω) MAX	CURRENT (A) MAX
YP-6730R-6R0N	6.0	0.035	2.25
100N	10	0.065	1.70
120N	12	0.070	1.55
150N	15	0.084	1.40
220N	22	0.128	1.20
270N	27	0.142	1.00
330N	33	0.165	0.97
470N	47	0.238	0.80
560N	56	0.277	0.73
680N	68	0.305	0.65
101N	100	0.535	0.54

1. Inductance tested at 100KHz 0.1v
2. Operating temperature range -40°C to +85°C
3. Electrical specifications at 25°C
4. DC current at which the inductance drops 35%

DIMENSIONS(Unit:mm) / Tolerances ± 0.2



<http://www.yewon-elec.co.kr>



Yewon Power Inductor
The Leader of Electronic Component

INDUCTORS

FOR POWER LINE SMD

YP-7032 SERIES

FEATURES

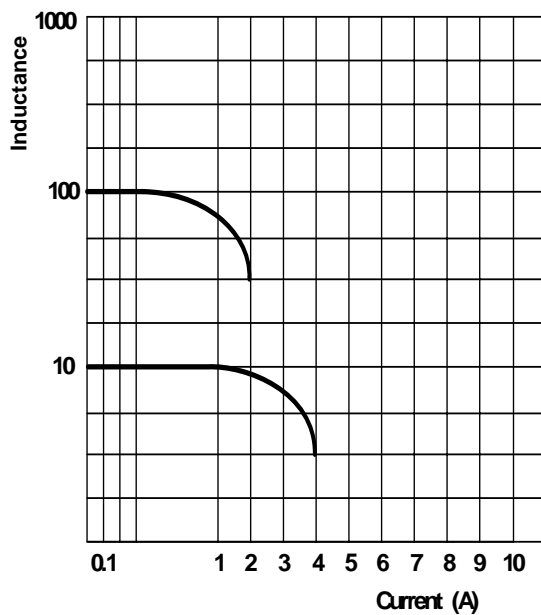
- .Magnetically Shielded
- .High Efficiency and cost-effective
- .10% to 60% lower DCR
- .Flat top for reliable surface mounting
- .Custom version available



APPLICATIONS

- .Backlighting devices / DC-DC converter / Power applications

INDUCTANCE vs CURRENT

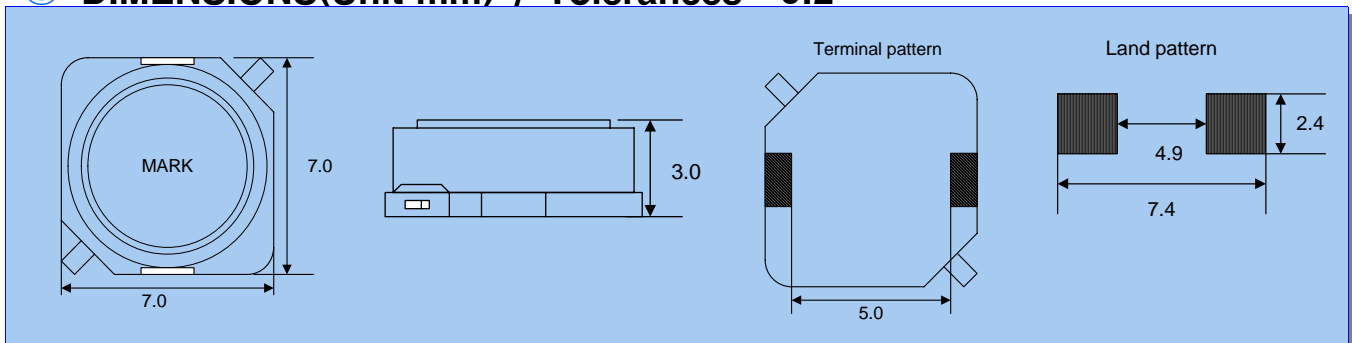


ELECTRICAL CHARACTERISTICS

Part Number	L ± 20% (uH)	DCR (Ω)MAX	CURRENT (A)MAX
YP-7032S-2R2M	2.2	0.028	2.20
4R7M	4.7	0.039	1.70
6R8M	6.8	0.049	1.60
100M	10	0.064	1.40
150M	15	0.100	1.10
220M	22	0.132	0.96
330M	33	0.192	0.75
470M	47	0.288	0.67
680M	68	0.372	0.59
101M	100	0.54	0.45
151M	150	1.00	0.37
221M	220	1.50	0.29

1. Inductance tested at 100KHz 0.1v
2. Operating temperature range -40°C to +85°C
3. Electrical specifications at 25°C
4. DC current at which the inductance drops 10%

DIMENSIONS(Unit:mm) / Tolerances ± 0.2



<http://www.yewon-elec.co.kr>



Yewon Power Inductor
The Leader of Electronic Component

INDUCTORS

FOR POWER LINE SMD

YP-7045 SERIES

FEATURES

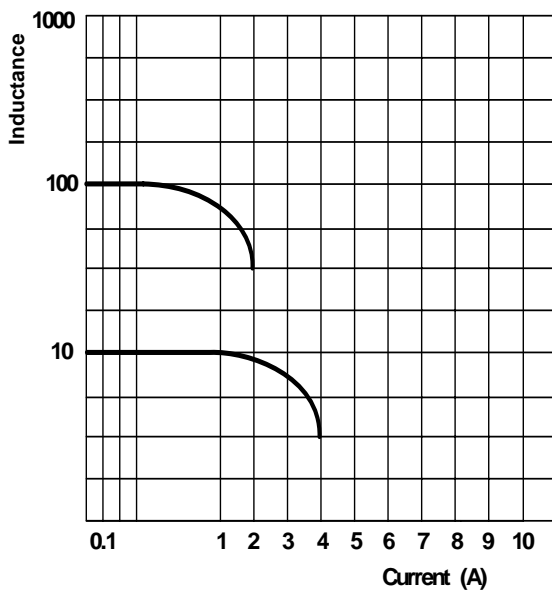
- .Magnetically Shielded
- .High Efficiency and cost-effective
- .10% to 60% lower DCR
- .Flat top for reliable surface mounting
- .Custom version available



APPLICATIONS

- .Backlighting devices / DC-DC converter / Power applications

INDUCTANCE vs CURRENT

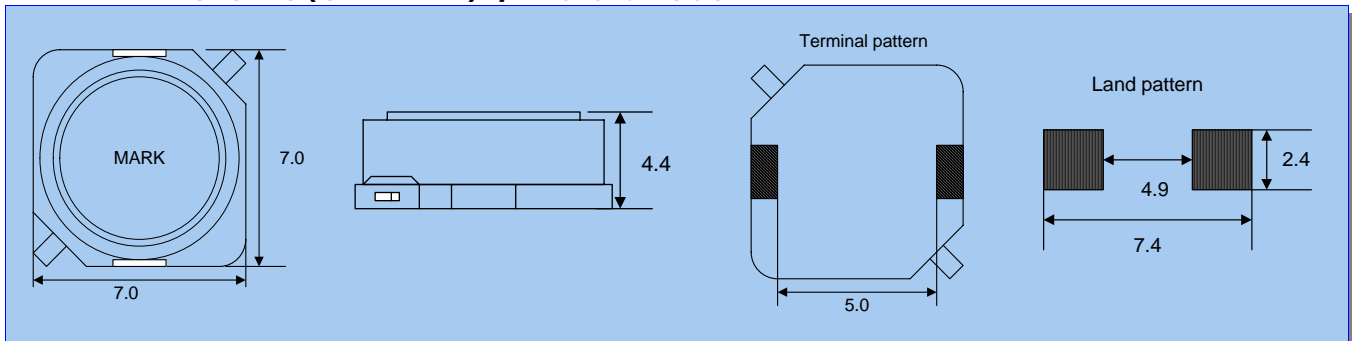


ELECTRICAL CHARACTERISTICS

Part Number	L ± 20% (uH)	DCR (Ω)MAX	CURRENT (A)MAX
YP-7045S-4R7M	4.7	0.036	2.00
6R8M	6.8	0.047	1.70
100M	10	0.049	1.30
150M	15	0.063	1.10
220M	22	0.074	0.90
330M	33	0.116	0.82
470M	47	0.150	0.75
680M	68	0.210	0.60
101M	100	0.300	0.50
151M	150	0.410	0.40
221M	220	0.625	0.33
331M	330	0.890	0.25
471M	470	1.260	0.22
681M	680	1.780	0.20

1. Inductance tested at 100KHz 0.1v
2. Operating temperature range -40°C to +85°C
3. Electrical specifications at 25°C
4. DC current at which the inductance drops 10%

DIMENSIONS(Unit:mm) / Tolerances ± 0.2



<http://www.yewon-elec.co.kr>



Yewon Power Inductor
The Leader of Electronic Component

INDUCTORS

FOR POWER LINE SMD

YP-7332 SERIES

FEATURES

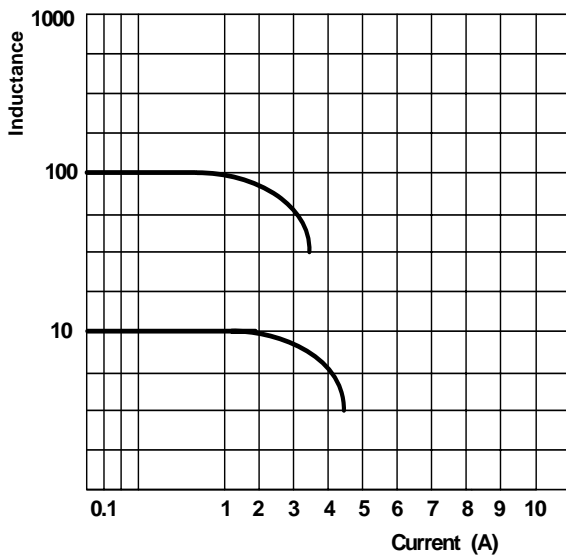
- .Magnetically Shielded
- .High Efficiency and cost-effective
- .10% to 60% lower DCR
- .Flat top for reliable surface mounting
- .Custom version available



APPLICATIONS

- .Backlighting devices / DC-DC converter / Power applications

INDUCTANCE vs CURRENT

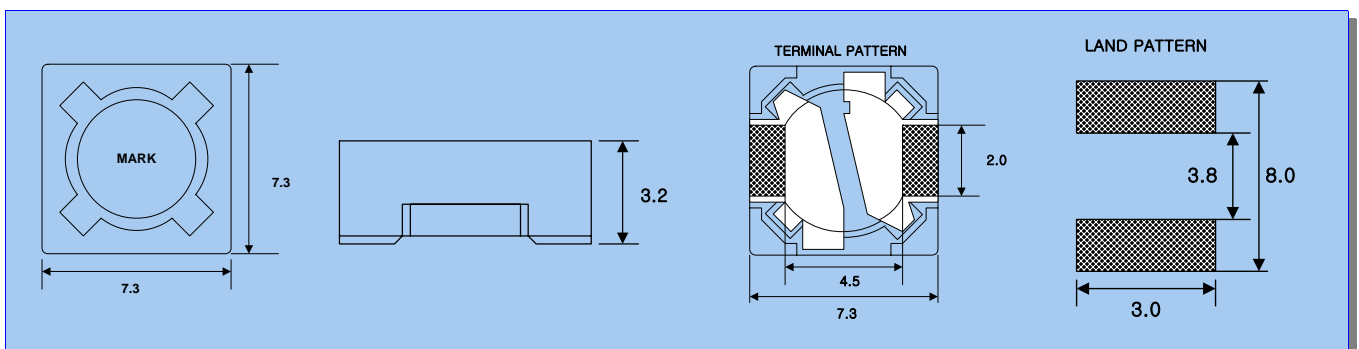


ELECTRICAL CHARACTERISTICS

Part Number	L ± 20% (uH)	DCR (Ω)MAX	CURRENT (A)MAX
YP-7332R-4R7M	4.7	0.04	3.2
6R8M	6.8	0.05	2.8
100M	10	0.07	2.08
150M	15	0.09	1.83
180M	18	0.10	1.70
220M	22	0.15	1.62
330M	33	0.20	1.40
390M	39	0.22	1.20
470M	47	0.26	1.10
680M	68	0.38	0.90
101M	100	0.58	0.73

1. Inductance tested at 100KHz 0.1v
2. Operating temperature range -40°C to +85°C
3. Electrical specifications at 25°C
4. DC current at which the inductance drops 10%

DIMENSIONS(Unit:mm) / Tolerances ± 0.1



<http://www.yewon-elec.co.kr>



Yewon Power Inductor
The Leader of Electronic Component

INDUCTORS

FOR POWER LINE SMD

YP-7346 SERIES

FEATURES

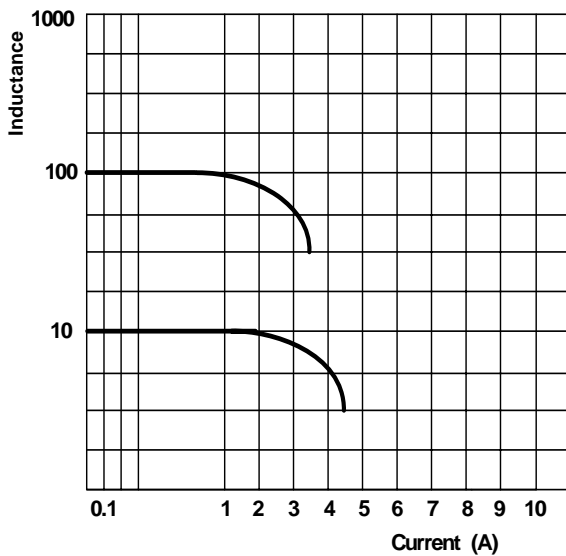
- .Magnetically Shielded
- .High Efficiency and cost-effective
- .10% to 60% lower DCR
- .Flat top for reliable surface mounting
- .Custom version available



APPLICATIONS

- .Backlighting devices / DC-DC converter / Power applications

INDUCTANCE vs CURRENT

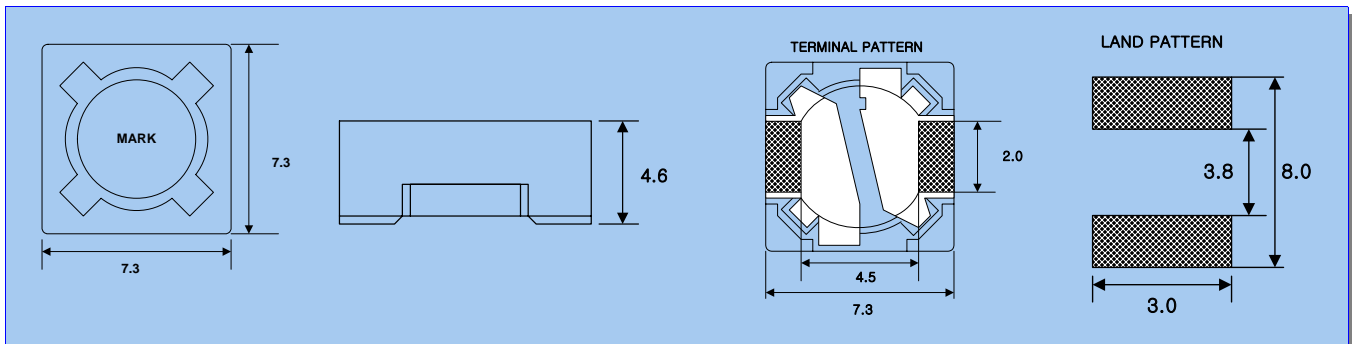


ELECTRICAL CHARACTERISTICS

Part Number	L ± 20% (uH)	DCR (Ω)MAX	CURRENT (A)MAX
YP-7346R-4R7M	4.7	0.025	3.3
6R8M	6.8	0.048	2.6
100M	10	0.05	2.49
150M	15	0.082	2.14
220M	22	0.11	1.75
330M	33	0.15	1.41
390M	39	0.20	1.30
470M	47	0.23	1.15
680M	68	0.28	1.03
820M	82	0.36	0.91
101M	100	0.40	0.86
471M	470	2.60	0.40
102M	1000	3.80	0.28

1. Inductance tested at 100KHz 0.1v
2. Operating temperature range -40°C to +85°C
3. Electrical specifications at 25°C
4. DC current at which the inductance drops 10%

DIMENSIONS(Unit:mm) / Tolerances ± 0.2



<http://www.yewon-elec.co.kr>



Yewon Power Inductor
The Leader of Electronic Component

INDUCTORS

FOR POWER LINE SMD

YP-1035 SERIES

FEATURES

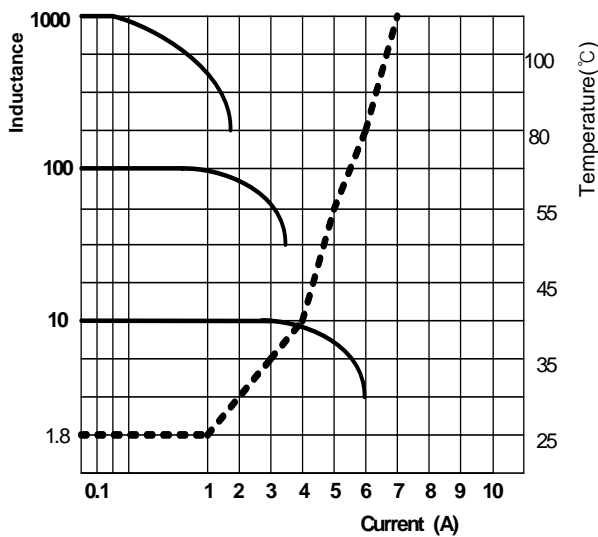
- .Magnetically Shielded
- .High Efficiency and cost-effective
- .10% to 60% lower DCR
- .Flat top for reliable surface mounting
- .Custom version available



APPLICATIONS

- .Backlighting devices / DC-DC converter / Power applications

INDUCTANCE vs CURRENT

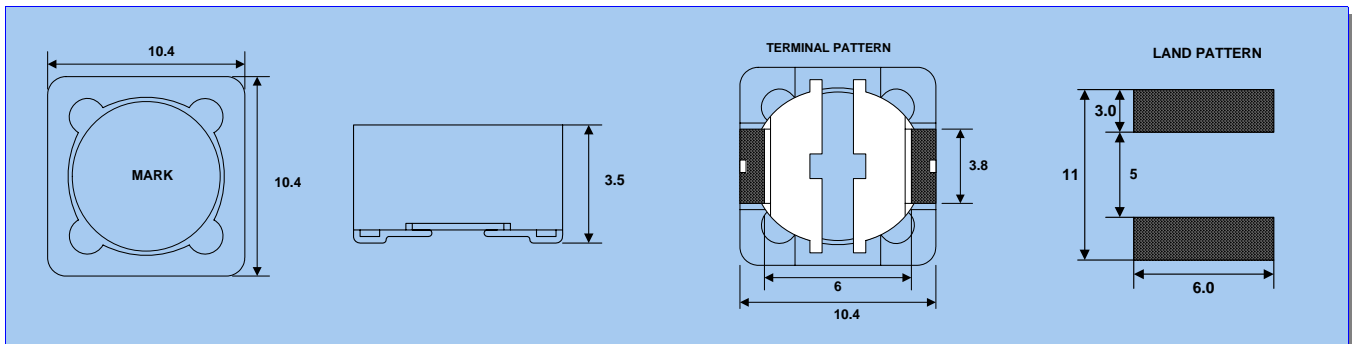


ELECTRICAL CHARACTERISTICS

Part Number	L ± 20% (uH)	DCR (Ω) MAX	CURRENT (A) MAX
YP-1035R-1R8M	1.8	0.010	7.2
3R3M	3.3	0.018	5.7
4R7M	4.7	0.025	4.7
6R8M	6.8	0.030	4.1
100M	10	0.080	3.7
150M	15	0.090	3.1
220M	22	0.120	2.5
330M	33	0.150	2.2
470M	47	0.180	1.9
680M	68	0.230	1.4
101M	100	0.300	1.2
151M	150	0.600	1.05
331M	330	1.200	0.7

1. Inductance tested at 100KHz 0.1v
2. Operating temperature range -40°C to +85°C
3. Electrical specifications at 25°C
4. DC current at which the inductance drops 20%

DIMENSIONS(Unit:mm) / Tolerances ± 0.1



<http://www.yewon-elec.co.kr>



Yewon Power Inductor
The Leader of Electronic Component

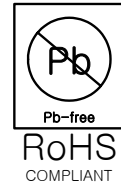
INDUCTORS

FOR POWER LINE SMD

YP-1055 SERIES

FEATURES

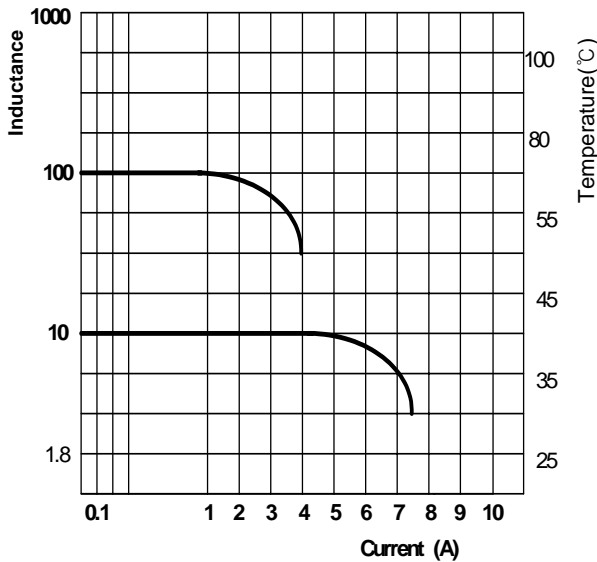
- .Magnetically Shielded
- .High Efficiency and cost-effective
- .10% to 60% lower DCR
- .Flat top for reliable surface mounting
- .Custom version available



APPLICATIONS

- .Backlighting devices / DC-DC converter / Power applications

INDUCTANCE vs CURRENT

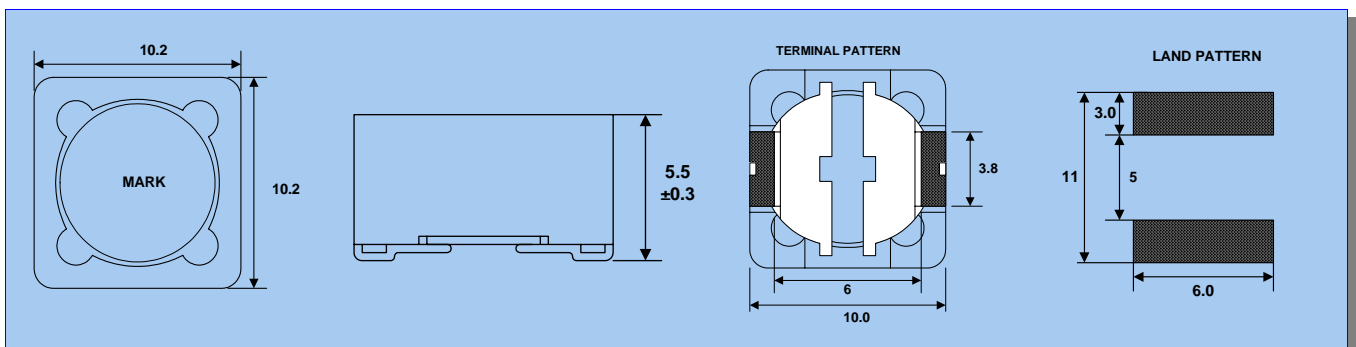


ELECTRICAL CHARACTERISTICS

Part Number	L ± 20% (uH)	DCR (Ω) MAX	Rated Current(A)
YP-1055R-4R7M	4.7	0.023	8.4
5R6M	5.6	0.025	8.0
100M	10	0.045	5.5
150M	15	0.050	5.2
220M	22	0.070	4.5
330M	33	0.085	3.7
470M	47	0.130	3.2
680M	68	0.190	2.5
101M	100	0.260	2.00
151M	150	0.370	1.62
221M	220	0.460	1.43
331M	330	0.850	0.90

1. Inductance tested at 100KHz 0.1v
2. Operating temperature range -40°C to +85°C
3. Electrical specifications at 25°C
4. Rated Current: DC current at which the inductance drops 20%

DIMENSIONS(Unit:mm) / Tolerances ± 0.2



<http://www.yewon-elec.co.kr>



Yewon Power Inductor
The Leader of Electronic Component

INDUCTORS

FOR POWER LINE SMD

YP-1240 SERIES

FEATURES

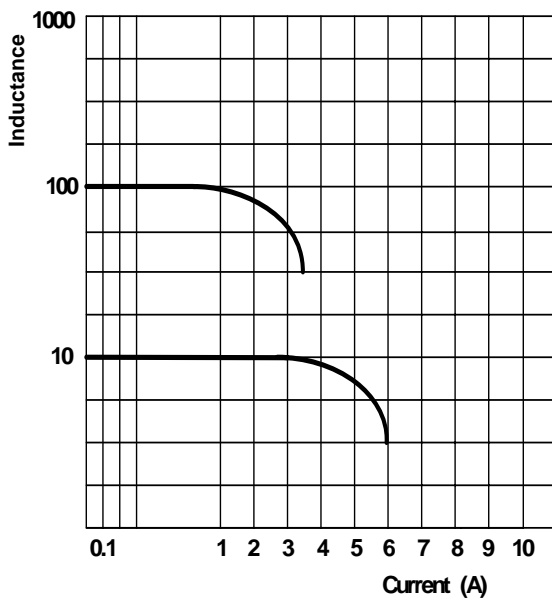
- .Magnetically Shielded
- .High Efficiency and cost-effective
- .10% to 60% lower DCR
- .Flat top for reliable surface mounting
- .Custom version available



APPLICATIONS

- .Backlighting devices / DC-DC converter / Power applications

INDUCTANCE vs CURRENT

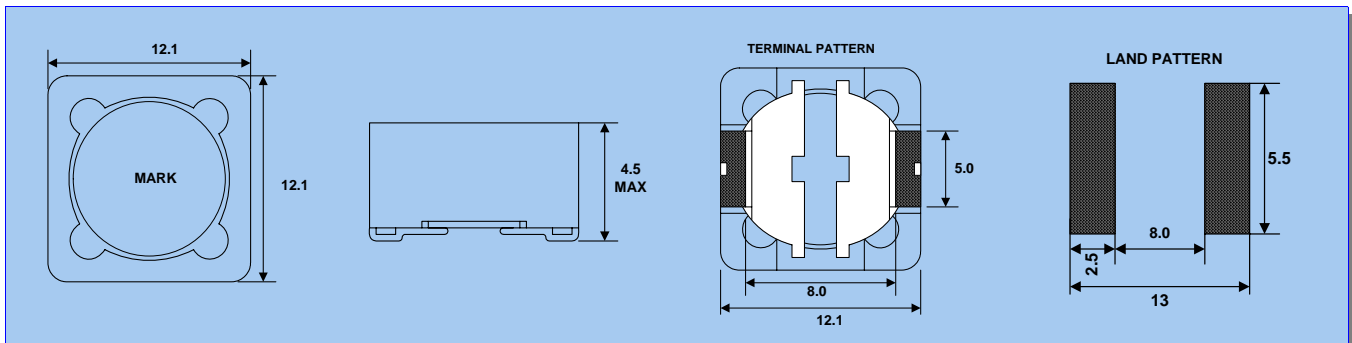


ELECTRICAL CHARACTERISTICS

Part Number	L ± 20% (uH)	DCR (Ω) MAX	CURRENT (A) MAX
YP-1240R-1R5M	1.5	0.013	11.5
2R2M	2.2	0.016	9.50
3R3M	3.3	0.018	8.00
4R7M	4.7	0.025	6.40
6R8M	6.8	0.029	6.20
100M	10	0.04	4.50
150M	15	0.05	3.40
220M	22	0.07	2.90
330M	33	0.10	2.70
470M	47	0.15	1.90
680M	68	0.18	1.50
101M	100	0.25	1.20

1. Inductance tested at 100KHz 0.1v
2. Operating temperature range -40°C to +85°C
3. Electrical specifications at 25°C
4. DC current at which the inductance drops 20%

DIMENSIONS(Unit:mm) / Tolerances ± 0.2



<http://www.yewon-elec.co.kr>



Yewon Power Inductor
The Leader of Electronic Component

INDUCTORS

FOR POWER LINE SMD

YP-1260 SERIES

FEATURES

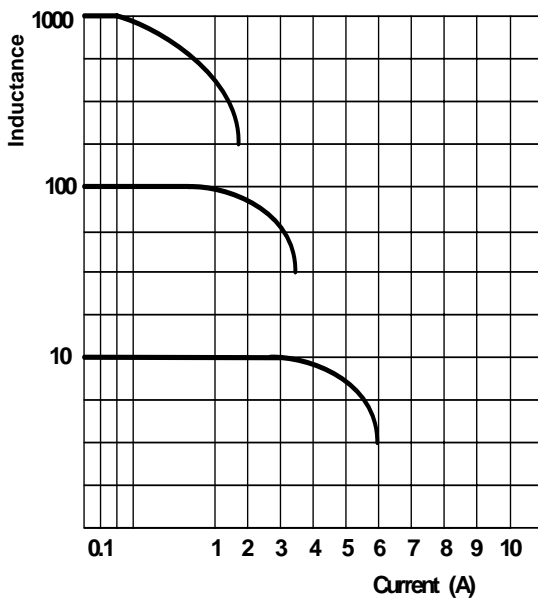
- .Magnetically Shielded
- .High Efficiency and cost-effective
- .10% to 60% lower DCR
- .Flat top for reliable surface mounting
- .Custom version available



APPLICATIONS

- .Backlighting devices / DC-DC converter / Power applications

INDUCTANCE vs CURRENT

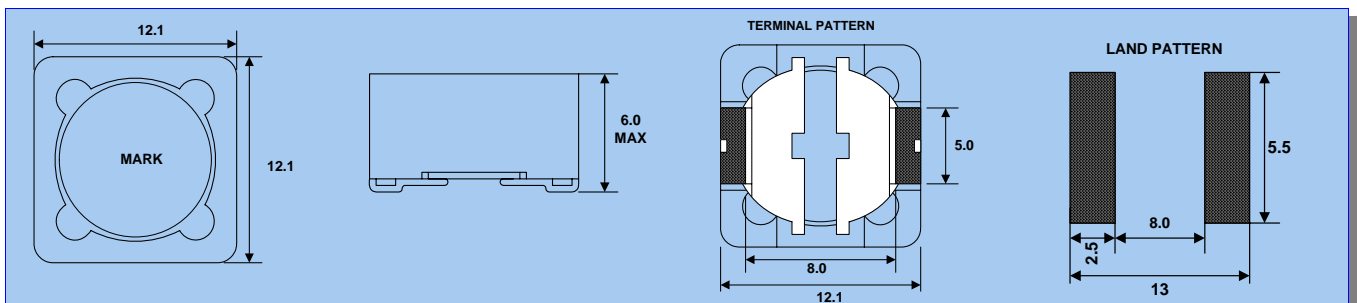


ELECTRICAL CHARACTERISTICS

Part Number	L ± 20% (uH)	DCR (Ω) MAX	CURRENT (A) MAX
YP-1260R-100M	10	0.021	5.0
120M	12	0.025	4.5
150M	15	0.030	4.0
180M	18	0.033	3.8
220M	22	0.036	3.5
330M	33	0.057	3.0
470M	47	0.075	2.5
680M	68	0.120	2.0
101M	100	0.160	1.5
151M	150	0.230	1.2
221M	220	0.400	1.0
331M	330	0.510	0.8
471M	470	0.770	0.7
681M	680	1.200	0.6
102M	1000	1.550	0.5

1. Inductance tested at 100KHz 0.1v
2. Operating temperature range -40°C to +85°C
3. Electrical specifications at 25°C
4. DC current at which the inductance drops 20%

DIMENSIONS(Unit:mm) / Tolerances ± 0.2



<http://www.yewon-elec.co.kr>



Yewon Power Inductor
The Leader of Electronic Component

INDUCTORS

FOR POWER LINE SMD

YP-1280 SERIES

FEATURES

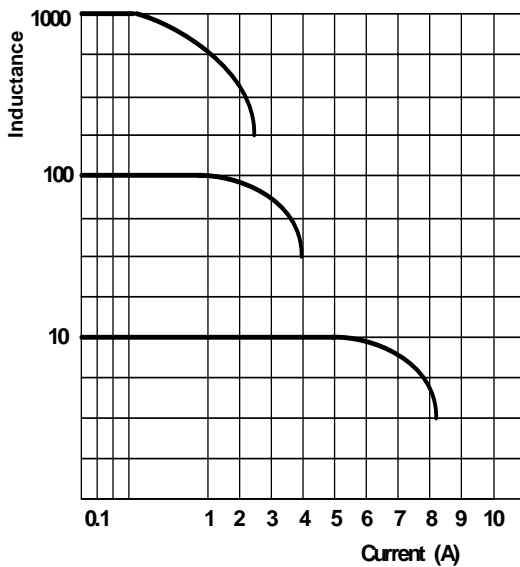
- .Magnetically Shielded
- .High Efficiency and cost-effective
- .10% to 60% lower DCR
- .Flat top for reliable surface mounting
- .Custom version available



APPLICATIONS

- .Backlighting devices / DC-DC converter / Power applications

INDUCTANCE vs CURRENT

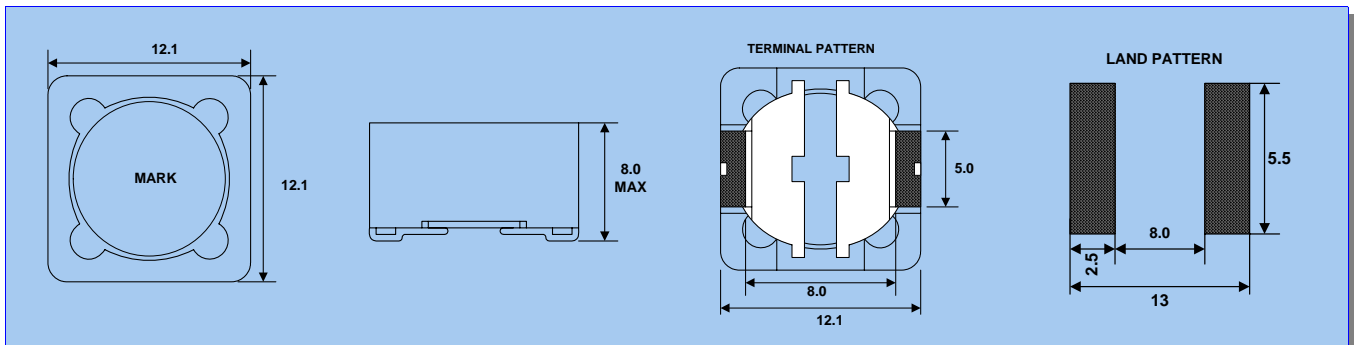


1. Inductance tested at 100KHz 0.1v
2. Operating temperature range -40°C to +100°C
3. Electrical specifications at 25°C
4. DC current at which the inductance drops 10%

ELECTRICAL CHARACTERISTICS

Part Number	L ± 20% (uH)	DCR (Ω) MAX	CURRENT (A) MAX
YP-1280R-4R7M	4.7	0.016	9.10
100M	10	0.022	6.70
150M	15	0.026	5.65
220M	22	0.036	4.70
330M	33	0.054	3.90
470M	47	0.087	3.25
680M	68	0.11	2.60
101M	100	0.14	2.10
151M	150	0.20	1.80
221M	220	0.32	1.45
331M	330	0.45	1.20
471M	470	0.69	1.00
681M	680	0.90	0.90
102M	1000	1.45	0.70
222M	2200	2.70	0.55

DIMENSIONS(Unit:mm) / Tolerances ± 0.2



<http://www.yewon-elec.co.kr>



Yewon Power Inductor
The Leader of Electronic Component