

**SMD POWER INDUCTOR CATALOG 1.
(Size Under 5mm MAX)**

INDUCTORS

FOR POWER LINE SMD

YP-2010 SERIES

FEATURES

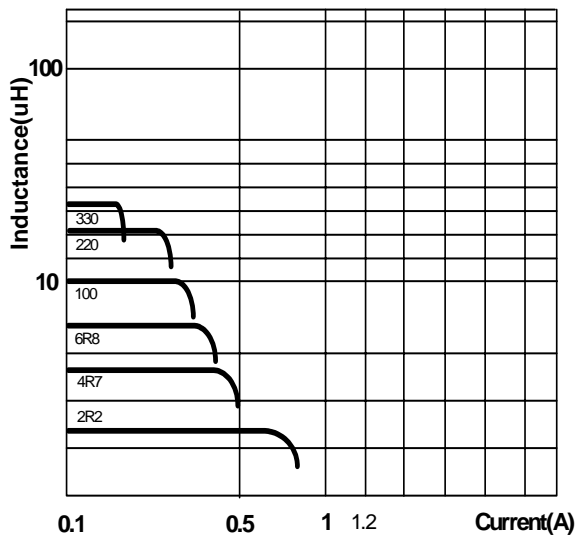
- .Magnetically Shielded
- .High Efficiency and cost-effective
- .10% to 60% lower DCR
- .Flat top for reliable surface mounting
- .Custom version available



APPLICATIONS

- .Backlighting devices / DC-DC converter / Power applications

INDUCTANCE vs CURRENT

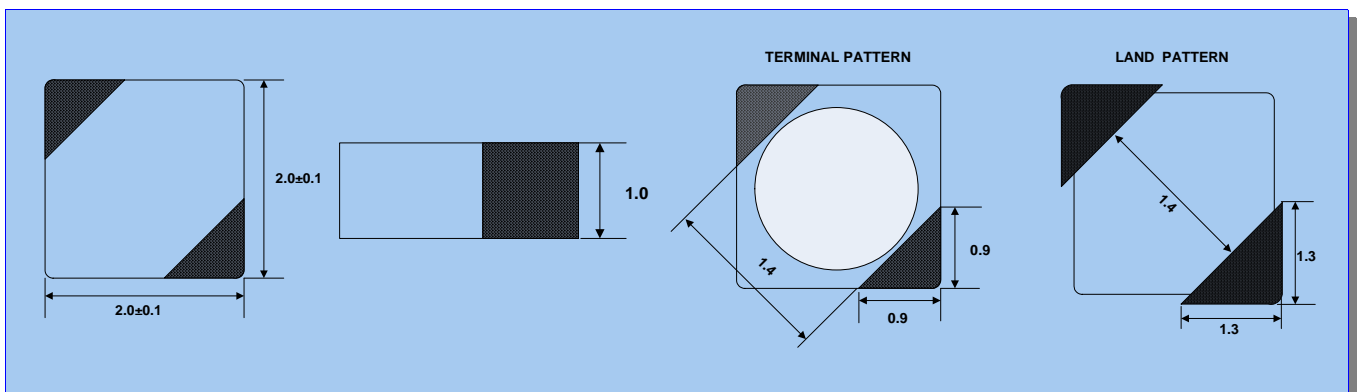


ELECTRICAL CHARACTERISTICS

Part Number	L ± 20% (uH)	DCR (Ω) MAX	CURRENT (A) MAX
YP-2010P-2R2M	2.2	0.48	0.70
4R7M	4.7	0.7	0.48
6R8M	6.8	0.9	0.41
100M	10	1.4	0.35
220M	22	3.3	0.21
330M	33	5.3	0.16

1. Inductance tested at 100KHz 0.1v
2. Operating temperature range -40°C to +85°C
3. Electrical specifications at 25°C
4. DC current at which the inductance drops 10%

DIMENSIONS(Unit:mm) / Tolerances ± 0.1



<http://www.yewon-elec.co.kr>

INDUCTORS

FOR POWER LINE SMD

YP-2810 SERIES

FEATURES

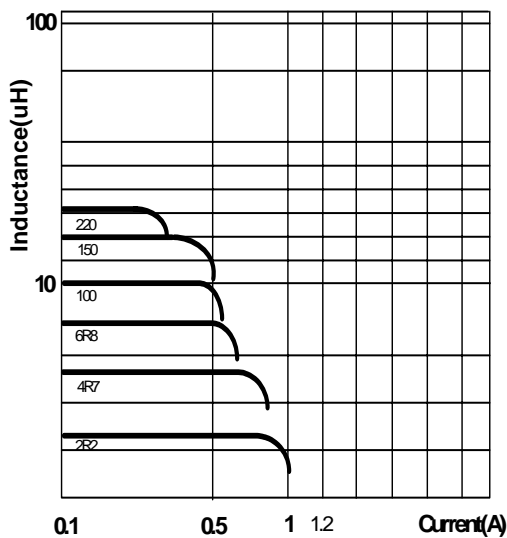
- .Magnetically Shielded
- .High Efficiency and cost-effective
- .10% to 60% lower DCR
- .Flat top for reliable surface mounting
- .Custom version available



APPLICATIONS

- .Backlighting devices / DC-DC converter / Power applications

INDUCTANCE vs CURRENT

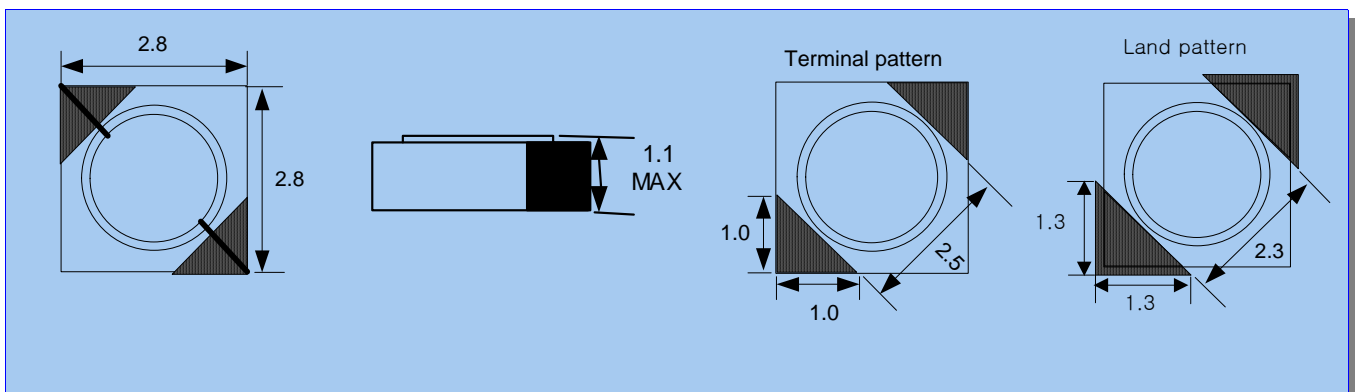


ELECTRICAL CHARACTERISTICS

Part Number	L ± 20 % (uH)	DCR (Ω) MAX	CURRENT (A) MAX	MARKING
YP-2810S-1R2M	1.2	0.09	1.25	1R2
2R2M	2.2	0.11	0.92	2R2
3R3M	3.3	0.2	0.87	3R3
4R7M	4.7	0.28	0.70	4R7
6R8M	6.8	0.34	0.61	6R8
100M	10	0.58	0.45	100
150M	15	0.86	0.40	150
220M	22	1.13	0.33	220
330M	33	2.06	0.23	330

1. Inductance tested at 100KHz 0.1v
2. Operating temperature range -40°C to +85°C
3. Electrical specifications at 25°C
4. DC current at which the inductance drops 30%

DIMENSIONS(Unit:mm) / Tolerances ± 0.2



<http://www.yewon-elec.co.kr>

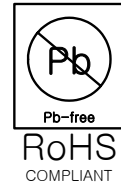
IINDUCTORS

FOR POWER LINE SMD

YP-3011 SERIES

FEATURES

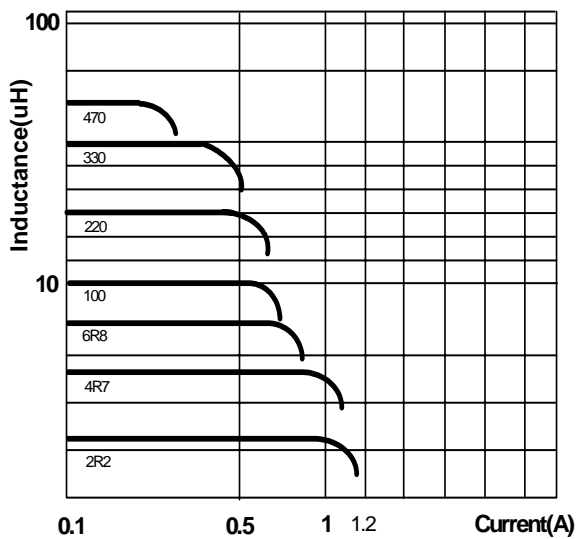
- .Magnetically Shielded
- .High Efficiency and cost-effective
- .10% to 60% lower DCR
- .Flat top for reliable surface mounting
- .Custom version available



APPLICATIONS

- .Backlighting devices / DC-DC converter / Power applications

INDUCTANCE vs CURRENT

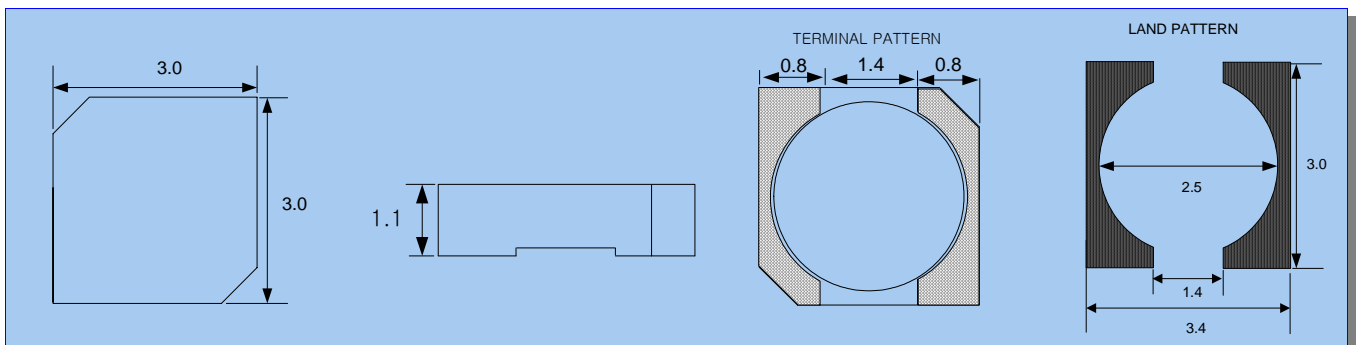


ELECTRICAL CHARACTERISTICS

Part Number	L ± 20% (uH)	DCR (Ω)MAX	CURRENT (A)MAX
YP-3011P-1R0M	1.0 ± 30%	0.12	1.8
1R5M	1.5 ± 30%	0.15	1.6
2R2M	2.2	0.20	1.30
3R3M	3.3	0.26	1.10
4R7M	4.7	0.41	0.87
5R6M	5.6	0.46	0.80
6R8M	6.8	0.55	0.75
100M	10	0.73	0.66
150M	15	1.15	0.58
220M	22	1.45	0.50
330M	33	2.45	0.40
470M	47	3.10	0.34
101M	100	9.2	0.165
221M	220	19.1	0.10
331M	330	30.0	0.08

1. Inductance tested at 100KHz 0.1v
2. Operating temperature range -40°C to +85°C
3. Electrical specifications at 25°C
4. DC current at which the inductance drops 10%

DIMENSIONS(Unit:mm) / Tolerances ± 0.1



<http://www.yewon-elec.co.kr>



Yewon Power Inductor
The Leader of Electronic Component

INDUCTORS

FOR POWER LINE SMD

YP-4015 SERIES

FEATURES

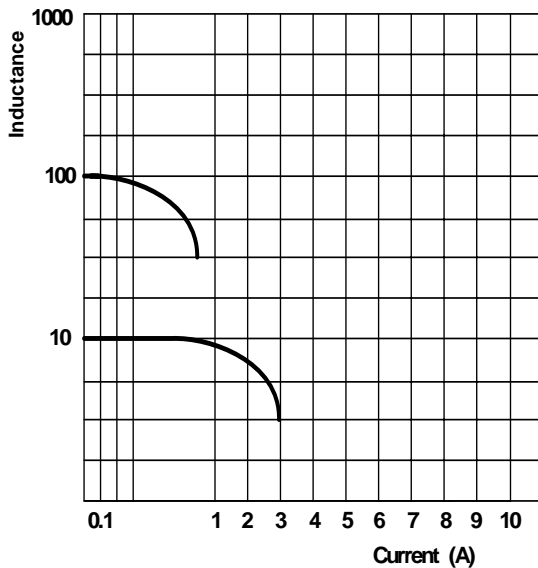
- .High Efficiency and cost-effective
- .Flat top for reliable surface mounting
- .Custom version available
- .Hight 1.5mm MAX



APPLICATIONS

- .Backlighting devices / DC-DC converter / Power applications

INDUCTANCE vs CURRENT

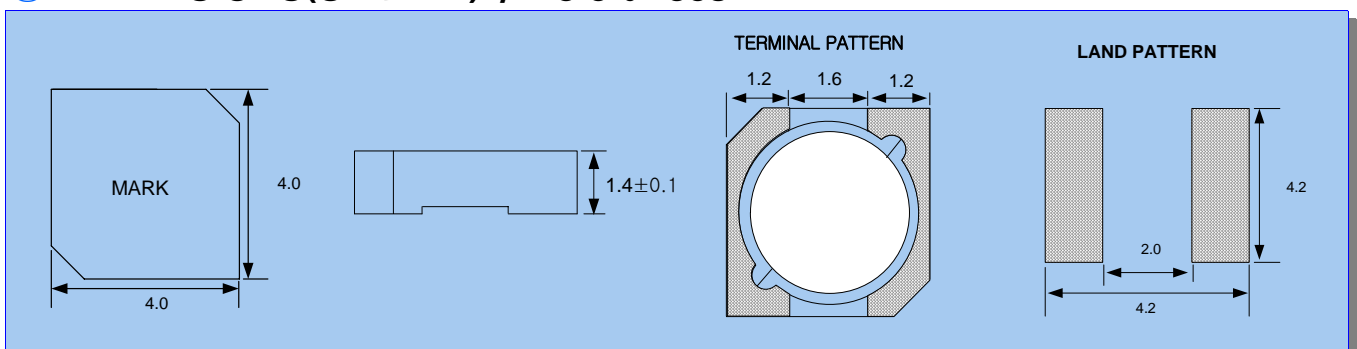


ELECTRICAL CHARACTERISTICS

Part Number	L ± 20% (uH)	DCR (Ω)MAX	CURRENT (A)MAX
YP-4015U-2R2M	2.2	0.11	1.80
3R3M	3.3	0.17	1.55
4R7M	4.7	0.19	1.30
6R8M	6.8	0.23	1.00
100M	10	0.30	0.85
150M	15	0.66	0.77
220M	22	0.74	0.60
330M	33	1.18	0.52
470M	47	1.60	0.45
680M	68	2.40	0.33
101M	100	3.20	0.27

1. Inductance tested at 100KHz 0.1v
2. Operating temperature range -40°C to +85°C
3. Electrical specifications at 25°C
4. DC current at which the inductance drops 10%

DIMENSIONS(Unit:mm) / Tolerances ± 0.1



<http://www.yewon-elec.co.kr>

INDUCTORS

FOR POWER LINE SMD

YP-5023S SERIES

FEATURES

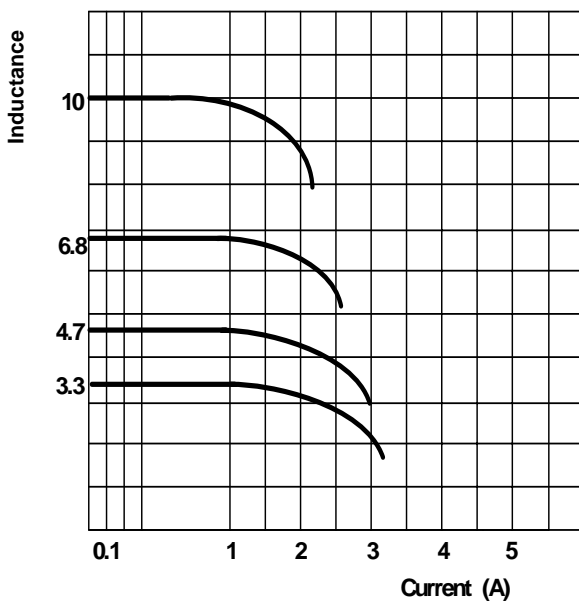
- .Magnetically Shielded
- .High Efficiency and cost-effective
- .10% to 60% lower DCR
- .Flat top for reliable surface mounting
- .Custom version available



APPLICATIONS

- .Backlighting devices / DC-DC converter / Power applications

INDUCTANCE vs CURRENT

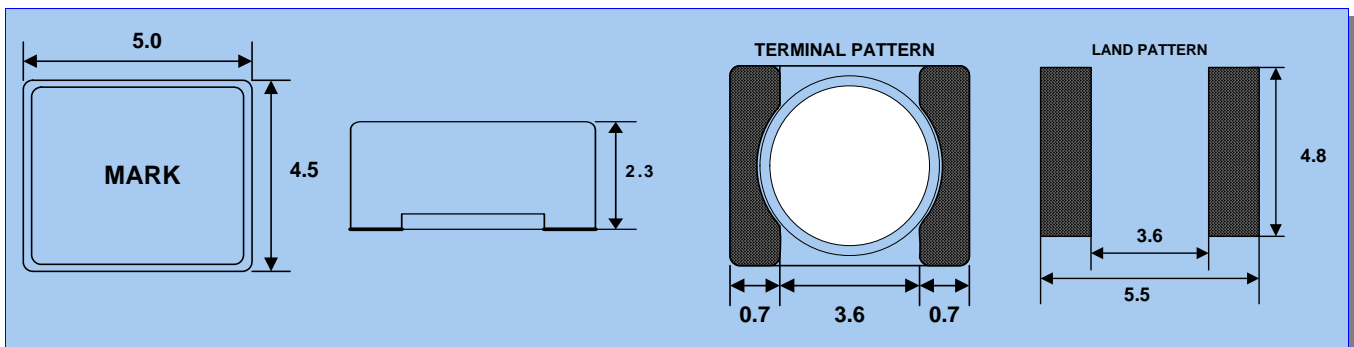


ELECTRICAL CHARACTERISTICS

Part Number	L ± 20% (uH)	DCR (Ω) MAX	Rated Current(A)
YP-5023S-R50M	0.5 ± 30%	0.020	4.00
1R2M	1.2	0.033	3.40
2R2M	2.2	0.035	2.20
3R3M	3.3	0.05	1.90
4R7M	4.7	0.06	1.80
5R6M	5.6	0.07	1.70
6R8M	6.8	0.08	1.60
100M	10	0.12	1.40
150M	15	0.25	1.05
470M	47	0.46	0.55
101M	100	0.93	0.36
471M	470	5.0	0.204
681M	680	7.0	0.145
821M	820	7.7	0.135
102M	1000	8.8	0.120
222M	2200	18.5	0.081
332M	3300	35.0	0.069

1. Inductance tested at 100KHz 0.1v
2. Operating temperature range -40°C to +85°C
3. Electrical specifications at 25°C
4. Rated Current: DC current at which the inductance drops 20%

DIMENSIONS(Unit:mm) / Tolerances ± 0.1



<http://www.yewon-elec.co.kr>



Yewon Power Inductor
The Leader of Electronic Component